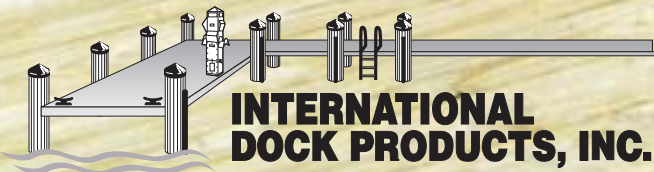


**Every accessory
for today's dock...
...except the boat.**



**INTERNATIONAL
DOCK PRODUCTS, INC.**

Version 08

ABOUT US...

International Dock Products, Inc. was established in 1995 as a result of a merger between S. King Fulton, Inc. and Flexmaster, Inc. Both companies were successful marina accessory manufacturers / distributors for many years. S. King Fulton, Inc. has been manufacturing electrical power centers and other dock accessories for over 40 years. Flexmaster, Inc. has been manufacturing Flexmaster Dock Fenders and other accessories for over 18 years. Our high-quality manufacturing process and our commitment to superb customer service has allowed International Dock Products to emerge as a leader in the dock accessory industry.

You will find our expert staff to be both informative and a pleasure to work with. International Dock Products manufactures and/or supplies just about every accessory for your marina or dock. Our full range of products uses only the highest quality materials and the finest craftsmanship to assure you are getting the most durable and corrosion resistant products for your waterfront application.

ELECTRICAL POWER CENTER OPTIONS

- **Receptacles and Circuit Breakers** - All S. King Fulton Power Centers use Hubbell Marine grade receptacles and are available in 20 Amp, 30 Amp and 50 Amp 125 volt twist-lock, 50 Amp 125/250 volt twist-lock, 100 Amp 125/250 volt pin-and-sleeve (single phase) and 100 Amp 120/208 volt pin-and-sleeve (three phase). We also can provide 100 Amp or 200 Amp, 480 volt three phase pin and sleeve receptacles. In addition, 20 Amp duplex straight-blade GFCI receptacles are available as a convenience outlet. Each receptacle is protected by an individual SQ-D circuit breaker located on the front of the unit under one powder coated aluminum cover. Lockable covers are available.
- **Receptacle Covers** - All receptacles are covered for protection when not in use (receptacles are designed to be water-tight when in use). There are two different types of covers:
 - **"A" Type** - Powder coated aluminum covers that allow the receptacles to be mounted at a 45° down angle (not available on piling mounted power centers). Lockable covers are available.
 - **"T" Type** - Thermo plastic covers where the receptacles are mounted flush with the casing. Manufactured by Hubbell.
- **Electric Meters** - Available on all power centers and have the ability of metering up to six receptacles individually.
- **Telephone** - Each power center is available with up to four telephone jacks (data jacks also available - Cat 5/Cat 6).
- **Cable TV** - Each power center is available with up to four cable TV jacks.
- **Lighting** - Each power center is available with fluorescent lighting. The light can be wired to an installed photocell or to a separate circuit to allow for manual operation. Amber lighting is available. A horizontal louver is available over the light lens for down-angled lighting.
- **Hose Bibs** - The standard and slim-line models are available with up to two hose bibs using standard 3/4" connections or optional lockable ball valves. The standard hose bib is a 1/4 turn Silcock. (Hose bibs are not available on the piling mounted power centers.)
- **Water Meters** - Up to two internally mounted water meters available on Standard and Double dockside units only.
- **Hose/Cable Holders** - The Standard, Slimline, and Double models are available with up to two hose/cable holders which allow the docks to be free of dangerous obstacles such as water hoses or ship-to-shore cables.
- **Power Distribution Blocks** - Each power center comes pre-wired with a power distribution block and is available in direct (home run) or loop (series) feed. Maximum wire size is 500 MCM.
- **Material** - Extruded aluminum-all one piece- no seams.
- **Fasteners** - Stainless Steel screws are used with nylon washers.
- **Finish** - Pedestals are powder coated white inside and out. Custom colors are available.
- **Rating** - 200 Amps per side. 400 Amps total for the pedestal.
- **Fully Listed** - Meets or exceeds all requirements for UL 231, NFPA 303, and the NFPA 70 National Electrical code Article 555
- **Installation** - The Double, Standard, and Slimline Power Centers are designed to be mounted directly to the deck or the dock. A 1/8" gasket for the bottom of the pedestal is supplied. Base templates are available. The Pile Mount unit is designed for mounting on a bulkhead or a pile. You must specify whether you need flat or round brackets.



STANDARD DOCKSIDE



SPB-45-3A



SPB-41-4A

WARRANTY

- 15 year unconditional on structural integrity of 100% aluminum casing
- 2 year unconditional on construction and fabrication of casing and covers

ELECTRICAL POWER CENTERS



**S.KING
FULTON, INC.**

PILING MOUNTED

SLIMLINE DOCKSIDE



SPC-21-3T



SPC-36-4T



SPC-36-3A



SPB-45-5A Double

FAMILY OF POWER CENTERS



POWER CENTER FEATURES

FEATURE	DOUBLE			STANDARD			SLIMLINE			PILING STYLE / WALL MOUNTED		
	DEEP	WIDE	TALL	DEEP	WIDE	TALL	DEEP	WIDE	TALL	DEEP	WIDE	TALL
Aluminum Thickness	3/16"			3/16"			1/8"			1/8"		
Dimensions	8"	16"	41" 45" 48"	8"	8"	41" 45" 48"	6"	6"	36"	6"	6"	21"
Maximum Receptacles	8			6			4			3		
Maximum C.B. Poles	18			11			6			6		

Custom Heights Available

Visit our website at www.dockproducts.com for more detail and specifications.

DOCK/SEAWALL LADDERS

- Fabricated from marine grade aluminum
- Each step measures 1' increments from top of dock
- Available in 2 - 8 step models
- All ladders are available with either 2" rung or 4" rung
- All ladders are rated at a 665 lb. capacity

Standard Ladder - Most durable and economical

Lifting Ladder - Rungs slide up and down allowing bottom rungs to be stored on the upper portion of the ladder and out of the water

Swing Ladder - Swings up and back allowing complete ladder to be kept out of water

Finger Pier Ladder - Designed for small finger piers, only takes up 8" on dock

Call us for custom ladder requests.

*All ladders can be shipped via UPS
(Some assembly required)*

HOOP STYLE LADDERS



SWING LADDERS



FLOATING DOCK LADDER



WIDE STEP LADDER



STANDARD LADDER

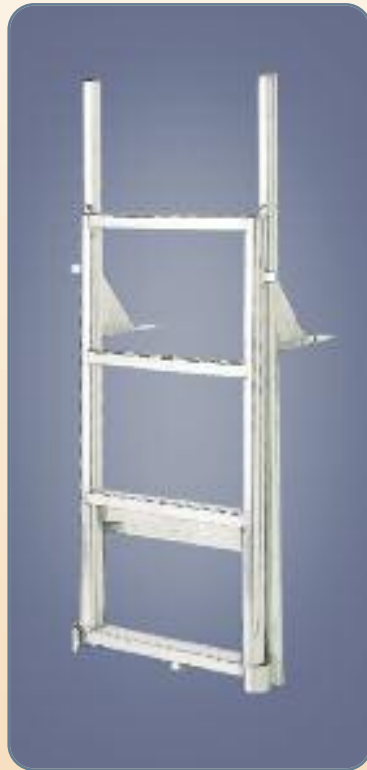


LIFTING LADDERS

FINGER PIER STYLE LADDERS



**STANDARD
FINGER PIER LADDER**



**LIFTING
FINGER PIER LADDER**



COMPARISON OF 2" RUNG WITH 4" WIDE RUNG

QUICK RELEASE KIT



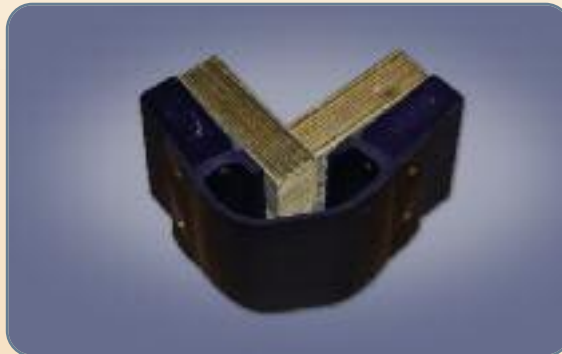
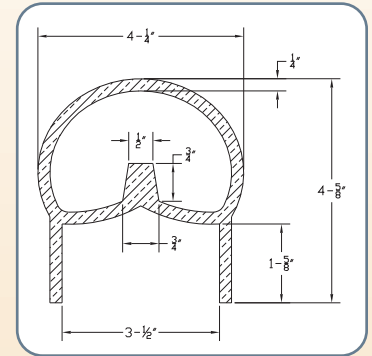
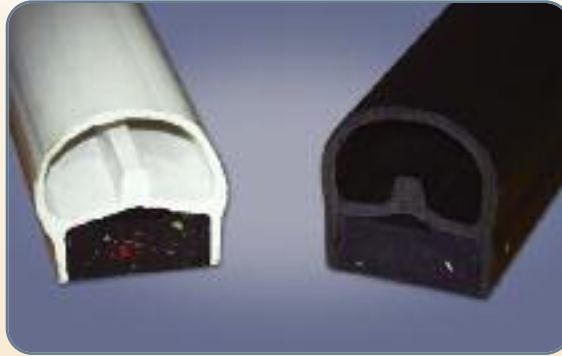
The Quick Release Kit allows personnel to remove a ladder off the dock effortlessly and without tools for storage when not in use. The kit comes with two aluminum bars that are bolted to the dock. Each bar corresponds with the left or right mounting bracket on the ladder. Once the bars are installed on the dock, the ladder can be placed over the studs on the bar and are then secured with a locking pin. For docks in colder regions, this is an outstanding option if the ladders need to be removed from the dock during winter months.

DOCK FENDERS



STANDARD DOCK FENDERS

- Extruded flexible PVC
- Available in black or white
- Designed to mount on any 2" x 4" or 4" x 4"
- Can be purchased many different ways: as an extrusion only for on-site mounting (up to 20' long); or already mounted on 2" x 4" or 4" x 4" recycled plastic lumber (up to 12' long)
- UV resistant; not affected by marine borers or barnacles
- Good for boats up to 90' in length

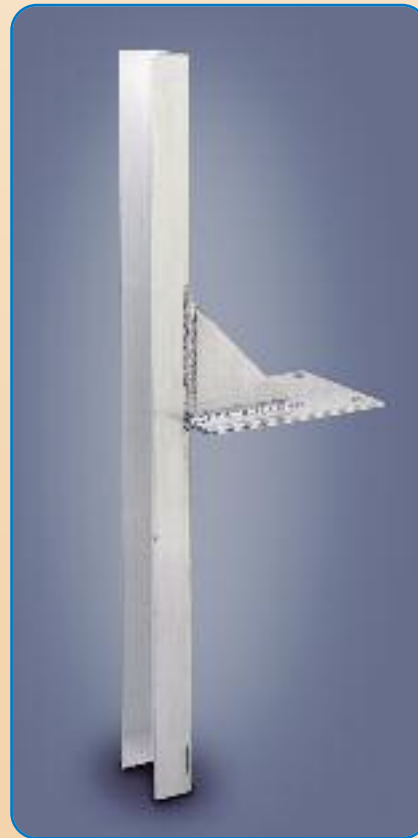


CORNER MOUNT

- Used to protect corners on concrete piling or any 90° angle
- Mounted on recycled plastic boards
- Up to 12' long

FENDER BRACKETS

- Fabricated from marine grade aluminum
- Channel dimensions are 1 3/4" x 3 1/2" (ideal for mounting standard 4" x 4" boards)
- Custom fabricated with channel up and/or down from top of dock or seawall



SINGLE LEG MOUNT

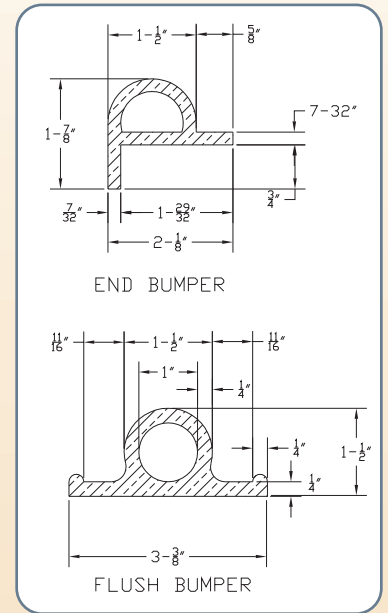
- Used for horizontal mounting on boards larger than 4" wide on floating or fixed docks
- Up to 20' long

DOCK BUMPERS



DOCK BUMPER

- Economical alternative to dock fenders
- Flush bumper designed to mount vertically on pilings
- End bumper designed to mount horizontally to floating or stationary docks
- Standard length is 25'
- Easy installation with stainless steel nails



CORNER DOCK BUMPER

- This is a tough marine grade vinyl corner. The bumper is 9½" x 9½" x 3¾" tall. Available in black or white.

DOCKSIDE LIGHTING



LBB-41



FIRE EXTINGUISHER CABINET

Will hold up to 10# ABC (not included)



LBB-36

DOCKSIDE LIGHTING FEATURES				
FEATURE	FIRE EXTINGUISHER CABINET			
	LBB-41	LBB-36	LBB-36	LBC-BELL
Aluminum Thickness	3/16"	3/16"	1/8"	1/8"
Dimensions	8" x 8" x 41"	8" x 8" x 41"	6" x 6" x 36"	6" x 6" x 12"
Fluorescent Bulb	9w	9w	7w	7w

PILING LIGHTS



LBC-BELL

DOCKSIDE LIGHTING

- Fabricated from marine grade aluminum
- 4-sided lighting
- Powder coated white
- Fully listed products

WATER STANCHIONS



WATER STANCHIONS

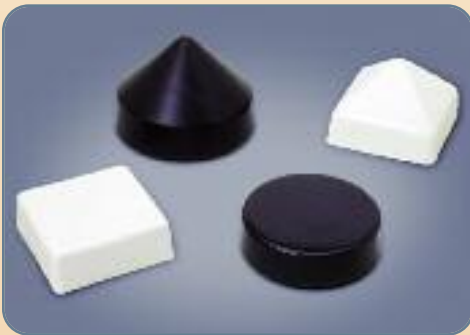
- Fabricated from marine grade aluminum
- Standard height: 29"
- Standard base plate: 5 1/2" x 5 1/2"
- Available with small (50' capacity) or large (100' capacity) hose holder
- Available as single (3"x 3") or double unit (3"x4")
- Available with or without hose bib



ALUMINUM HOSE HOLDERS

- Available in two sizes (Small - Holds up to 50') (Large - Holds up to 100')
- Available in natural or powder coated finish
- Available with or without hose bib
- Pre-drilled for easy installation

Misc. Dock Accessories



PILING CAPS

- Protects pilings from internal rot
- Available in black or white
- Available in "flat" or "cone"
- Available for round or square pilings
- More than 25 sizes available in 1/2" increments



LINE HOLDERS

- Available in pressure treated lumber or recycled plastic (black or white)
- Holds lines when not in use
- Attaches easily with two HD 60 penny nails or spikes



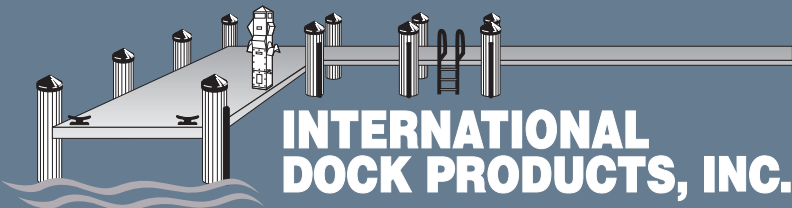
ALUMINUM "S" CLEATS

- Cast from aluminum for superior corrosion resistance
- Available with natural or powder coated finish
- 10," 12," 15" and 20" sizes available

3101 SW 25th Street, Bay 106
Pembroke Park, FL 33009

phone 954.964.5315
toll-free 1.800.909.DOCK (3625)
fax 954.964.2715

email: info@dockproducts.com
www.dockproducts.com



**INTERNATIONAL
DOCK PRODUCTS, INC.**